

Trusted. Tested. Tough.™

Product information presented here reflects conditions at time of publication. Consult factory regarding discrepancies or inconsistencies.



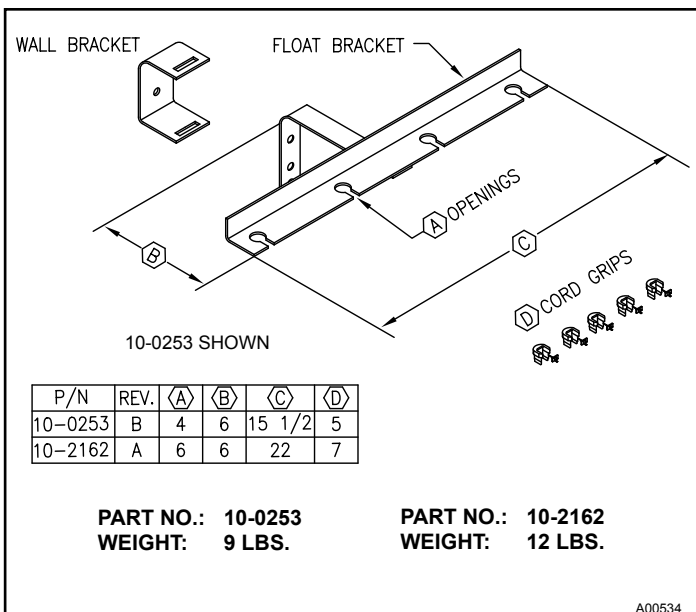
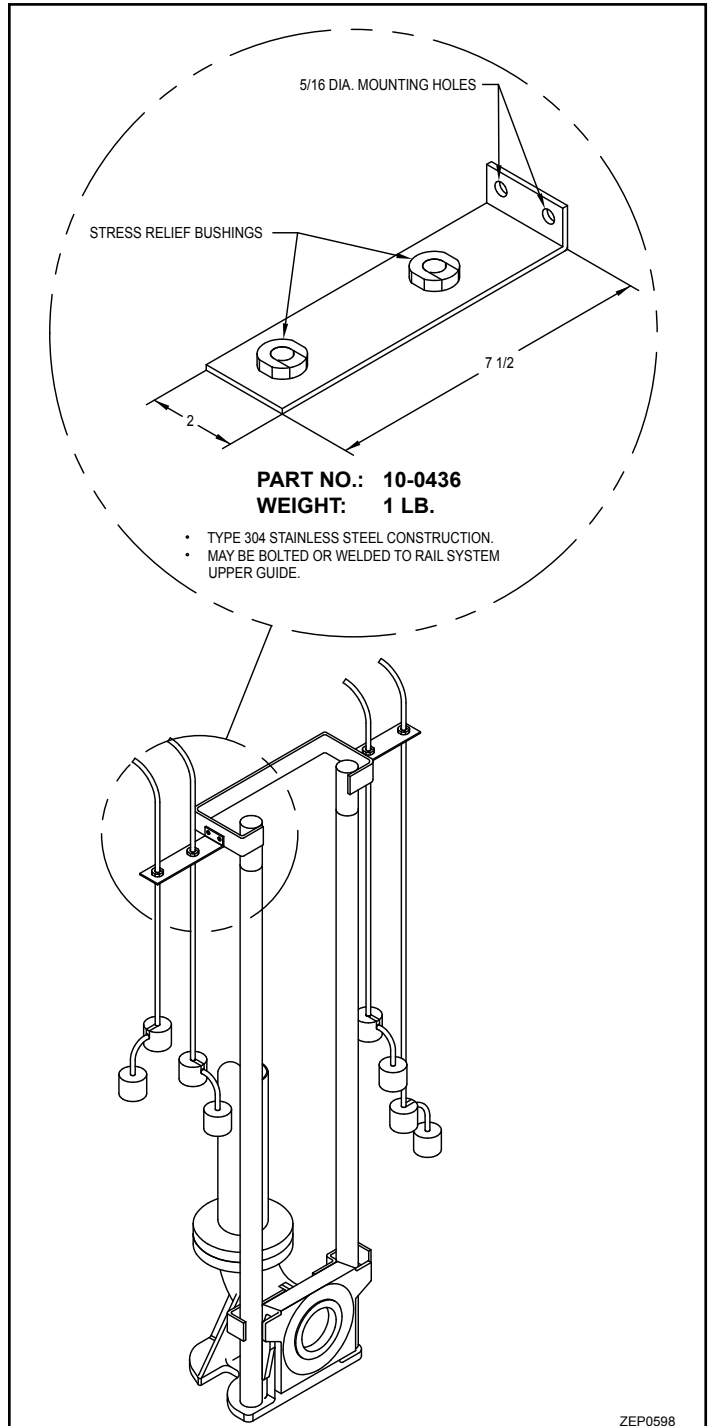
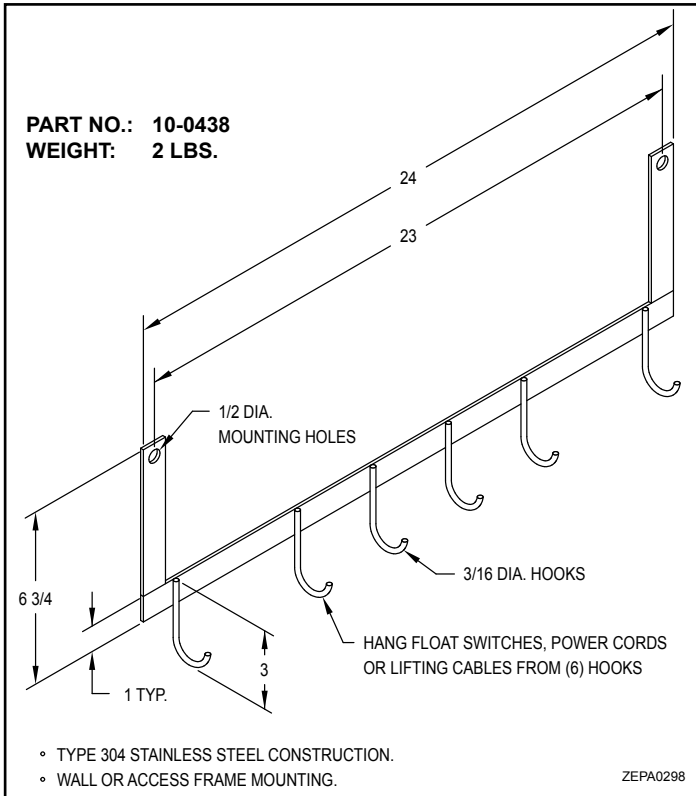
SECTION: Z5.00.190  
 ZM1328  
 1109  
 Supersedes  
 0606

**MAIL TO:** P.O. BOX 16347 • Louisville, KY 40256-0347  
**SHIP TO:** 3649 Cane Run Road • Louisville, KY 40211-1961  
 (502) 778-2731 • 1 (800) 928-PUMP • **FAX** (502) 774-3624

**visit our web site:**  
[zoellerengineered.com](http://zoellerengineered.com)

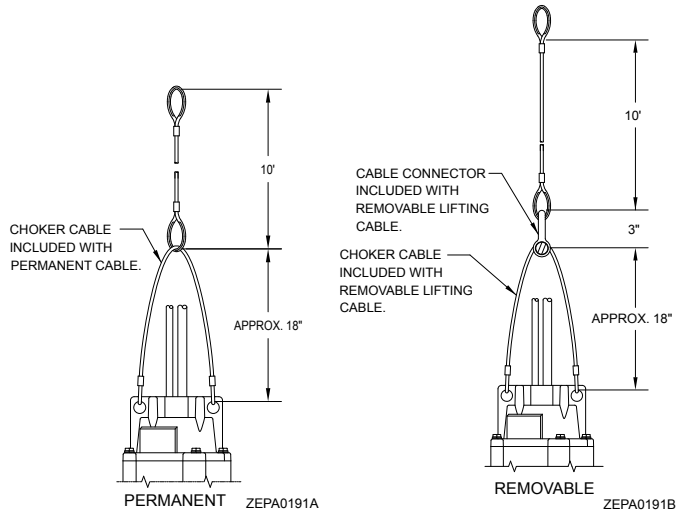


## FLOAT SWITCH BRACKETS (For Use With Weighted Floats)



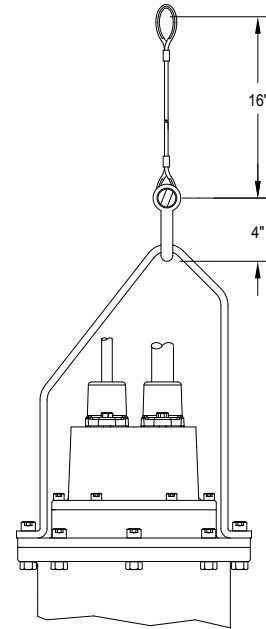
# PUMP LIFTING CABLES

## Lifting Cables for pump models: 1-20 BHP Solids Handling Models 6680 Series Solids Handling Models 71 & X71 Series Grinder Models



P/N	Description	Material	Wt. Lbs.
6039-0026	Choker Cable	Stainless Steel	1
6039-0027	Choker Cable	Galvanized Steel	1
6039-0028	Permanent Cable - 10'	Stainless Steel	4
6039-0029	Permanent Cable - 10'	Galvanized Steel	4
6039-0030	Removable Cable - 10'	Stainless Steel	5
6039-0031	Removable Cable - 10'	Galvanized Steel	5

## Lifting Cables for pump models: 69 HD, X69 HD Solids Handling Models

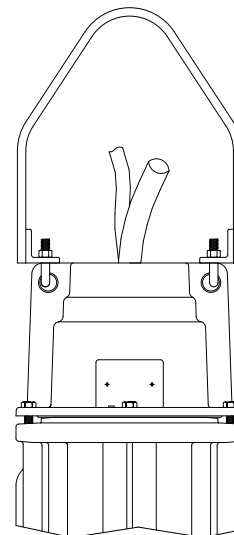


P/N	Description	Material	Wt. Lbs.
6039-0094	Removable Cable-16'	Stainless Steel	5

## Additional SS Cable Lengths

P/N	Description	Material	Wt. Lbs.
6039-0032	Permanent Cable - 15'	Stainless Steel	6
6039-0062	Permanent Cable - 20'	Stainless Steel	7
6039-0061	Permanent Cable - 25'	Stainless Steel	8
6039-0068	Permanent Cable - 30'	Stainless Steel	9
6039-0067	Removable Cable - 15'	Stainless Steel	7
6039-0039	Removable Cable - 20'	Stainless Steel	8
6039-0036	Removable Cable - 25'	Stainless Steel	9

## Rigid Lifting Bail



PUMP MODEL	P/N	Material	Wt. Lbs.
6120-6125	6039-0041	Stainless Steel	4
6111-6113	6039-0041	Stainless Steel	4
7110-7112	6039-0041	Stainless Steel	4
6220-6224	6039-0041	Stainless Steel	4
6682-6685	6039-0042	Stainless Steel	5