

Product information presented here reflects conditions at time of publication. Consult factory regarding discrepancies or inconsistencies.



MAIL TO: P.O. BOX 16347 • Louisville, KY 40256-0347
 SHIP TO: 3649 Cane Run Road • Louisville, KY 40211-1961
 (502) 778-2731 • 1 (800) 928-PUMP • FAX (502) 774-3624

visit our web site:
zoellerengprod.com



PUMP STATION VALVES, FITTINGS AND ALUMINUM HATCHES AND COVERS



1-1/4" - 3" NPT CAST IRON CHECK VALVES

#30-0163

1-1/4" CAST IRON NPT

#30-0152

2" CAST IRON NPT

#30-0164

1-1/2" CAST IRON NPT

#30-0160

3" CAST IRON NPT



30-0163
 Pictured

Outside dimensions
 4-15/16" w x 4" x 6-3/16" h

- Vertical or horizontal installation
- Full flow design - no restrictions
- Stops back flow of water
- Neoprene polyester reinforced flapper - smooth edge design, with cast iron and noncorrosive metal backing plates & stainless steel fastener
- Rated at 50 PSI (115 feet of head) at 130 °F (54 °C)
- Stainless steel bolts
- Suitable for installation below basin cover



6030-0160
 Pictured

Outside dimensions
 6-5/8" w x 6-5/8" w x 8" h

1-1/4" - 3" PVC BALL VALVES



30-0167
 Pictured

- General purpose ball valve
- Ideal for a variety of applications

- #30-0175** 1-1/4" SLIP TO SLIP W/ UNION - 150 PSI RATED
- #30-0165** 1-1/4" SLIP TO SLIP - 150 PSI RATED
- #30-0166** 1-1/2" SLIP TO SLIP - 150 PSI RATED
- #30-0167** 2" SLIP TO SLIP - 150 PSI RATED
- #30-0221** 3" SLIP TO SLIP - 150 PSI RATED

1-1/4" & 2" BRASS/BRONZE CHECK VALVES



30-0223
 Pictured

- #30-0223** 1-1/4" NPT BRASS
- #30-0225** 2" NPT BRONZE

- 200 PSI WOG rated
- Metal to metal seals
- Vertical or horizontal installation
- Stops back flow of water
- Suitable for installation below basin cover

1-1/4" & 2" BRASS BALL VALVES

- #30-0213** 1-1/4" NPT BRASS
- #30-0226** 2" NPT BRASS

- 600 PSI WOG rated
- Full port
- Quarter-turn operation

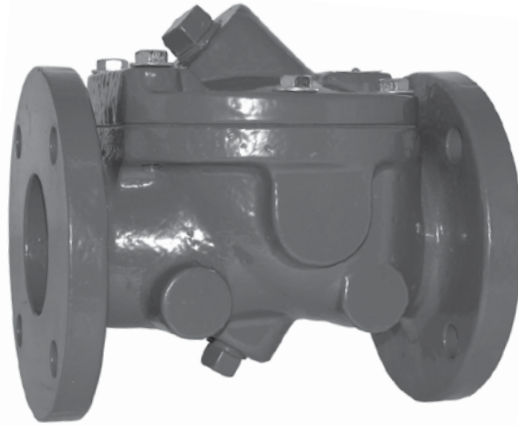


30-0213
 Pictured

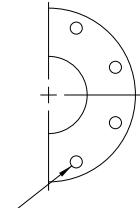
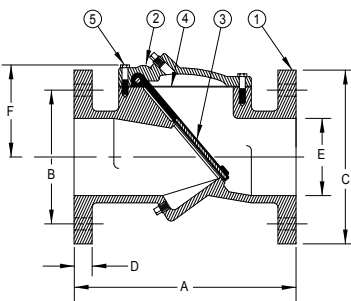
2" - 8" FLANGED CHECK VALVES

Features:

- Heavy duty ductile iron construction
- Angled seal for non-slam closure
- Non-clog design
- Reinforced disc
- Drip tight seating
- Rated up to 250 PSIG
- Designed for both horizontal and vertical usage
- Optional backflow actuator and mechanical indicator



PART NUMBER	PART NAME	MATERIAL
1	Body	Ductile iron ASTM A536, Grade 65-45-12
2	Cover	Ductile iron ASTM A536, Grade 65-45-12
3	Disc	Buna-N w/ steel and nylon reinforcement
4	Gasket	Compressed nonasbestos fiber
5	Cover Bolt	Alloy steel SAE Grade 5



"G" = BOLT SIZE
"H" = NUMBER OF HOLES EACH FLANGE

PART NUMBER	VALVE SIZE	"A"	"B"	"C"	"D"	"E"	"F"	"G"	"H"	WEIGHT
6030-0212	2"	8	4-3/4	6	11-16	2	3-3/8	5/8	4	26 lbs.
6030-0197	2-1/2"	8-1/2	5-1/2	7	11/16	2-1/2	3-3/8	5/8	4	32 lbs.
6030-0202	3"	9-1/2	6	7-1/2	3/4	3	5-1/8	5/8	4	37 lbs.
6030-0203	4"	11-1/2	7-1/2	9	15/16	4	5-3/4	5/8	8	63 lbs.
6030-0180	6"	15	9-1/2	11	1	6	6-7/8	3/4	8	100 lbs.
6030-0190	8"	19-1/2	11-3/4	13-1/2	1-1/8	8	8-3/8	3/4	8	200 lbs.

ZEPA0520

2" - 8" CAST IRON PLUG VALVES

Threaded Connection - 2" and 3"
Flanged Connection - 2", 2-1/2", 3", 4", 6", 8"



Features:

- Designed to handle solids bearing flows
- Cast iron housing - rated 175 psi
- 99% pure nickel welded seat
- 1/4 turn Buna plug
- Upper and lower ball bearings
- Provided with hand lever



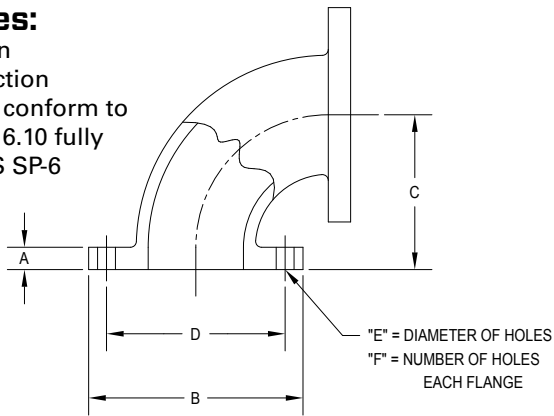
THREADED MODELS				
SIZE	PART NUMBER	WIDTH	HEIGHT	WEIGHT
2"	6030-0082	5-1/4"	7-1/8"	12 lbs.
3"	6030-0083	8-3/4"	14-1/8"	45 lbs.

FLANGED MODELS						
SIZE	PART NUMBER	WIDTH	HEIGHT	WEIGHT	BOLT SIZE	NO. OF BOLTS
2"	6030-0211	7-1/2"	14-1/8"	45 Lbs.	5/8"	4
2-1/2"	6030-0084	7-1/2"	14-1/8"	45 lbs.	5/8"	4
3"	6030-0085	8"	14-1/8"	53 lbs.	5/8"	4
4"	6030-0086	9"	16-3/4"	66 lbs.	5/8"	8
6"	6030-0087	10-1/2"	19-1/2"	102 lbs.	3/4"	8
8"	6030-0088	11-1/2"	22-5/8"	172 lbs.	3/4"	8

2-1/2" TO 8" 90° FLANGED ELBOWS

Features:

- Cast iron construction
- Flanges conform to ANSI B16.10 fully flat/MSS SP-6



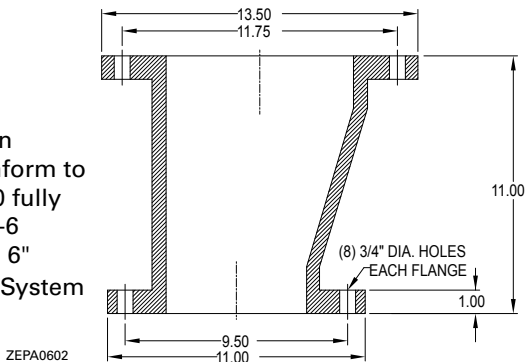
ZEPA0305B

PART NUMBER	PIPE SIZE	"A"	"B"	"C"	"D"	"E"	"F"	WEIGHT
6030-0200	2-1/2"	.68	7.00	5.00	5.50	.75	4	20 lbs.
6030-0201	3"	.75	7.50	5.50	6.00	.75	4	25 lbs.
6030-0194	4"	.94	9.00	6.50	7.50	.75	8	41 lbs.
6030-0195	6"	1.00	11.00	8.00	9.50	.68	8	68 lbs.
6030-0196	8"	1.13	13.50	9.00	11.75	.68	8	107 lbs.

6" TO 8" ECCENTRIC ADAPTER P/N 6030-0205

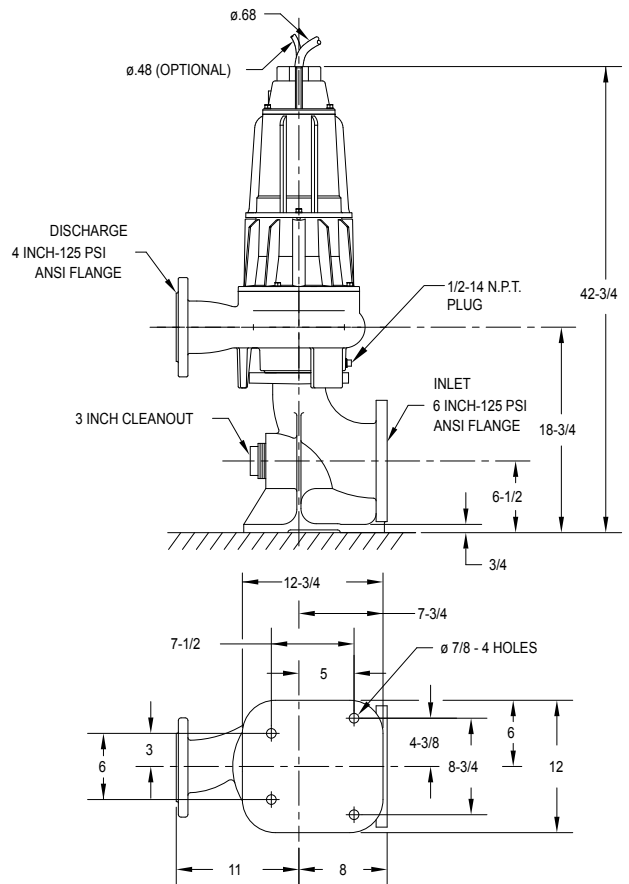
Features:

- Cast iron construction
- Flanges conform to ANSI B16.10 fully flat/MSS SP-6
- Used with a 6" Zoeller Rail System



ZEPA0602

4" x 6" FLANGED DRY PIT MOUNTING STAND W/CLEAN OUT P/N 6039-0035



ZEPA0474

Features:

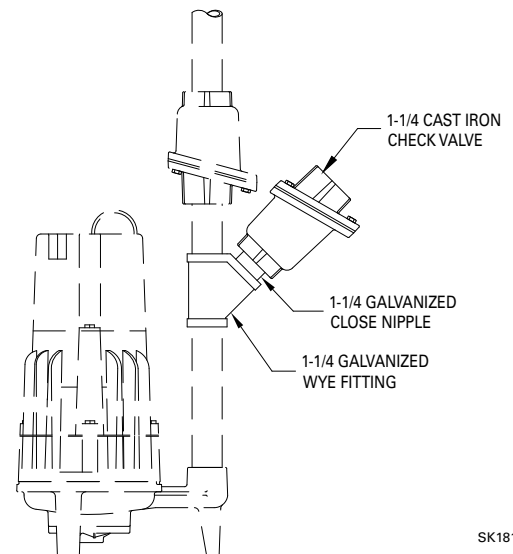
- Class 30 epoxy coated cast iron construction
- 6" inlet / 4" outlet
- Flanges conform to ANSI B16.10 fully flat/MSS SP-6
- For use on dry-pit pumps with 4" discharge
- 3" clean-out plug

1-1/4" ANTI-SIPHON DEVICE P/N 10-0787 Field Installed

P/N 10-0787

Complete System Includes:

Qty	Part No.	Description
1	008792	1-1/4" Female NPT Check Valve
1	012209	1-1/4" Galvanized Wye
1	008715	1-1/4" Galvanized Close Nipple



SK1815

SEWAGE AIR RELIEF VALVE



Sewage Air Relief Valves are designed to maintain pipeline efficiency and provide protection by venting air that accumulates during system operation.

- Cast iron housing
- SS trim
- SS float
- 150 psi rated

Part No.	Inlet	Outlet	Height	Width
6030-0204	2"	1/2"	15-5/16"	7"

SEWAGE COMBINATION AIR VALVE



Combination Valve provides both air release and air/vacuum protection in pipelines and maintains efficiency.

- Cast iron housing
- SS trim
- SS float
- 150 psi rated
- Backwash Accessory Kit (not shown)

Part No.	Inlet	Outlet	Height	Width
6030-0207	2"	1"	26-1/16"	14"

ALUMINUM ACCESS HATCH 300 PSF RATED



- Aluminum hatch to be cast into concrete
- Single or multiple doors available
- Drainable frame with 1-1/2" drain coupling
- 1/4" thick aluminum diamond plate rated at 300 psf
- SS hinges and tamper-proof nuts and bolts
- SS hold open arm
- Padlock staple
- Options available
- Frame opening: _____" x _____"

ALUMINUM BASIN COVER 300 PSF RATED



- Aluminum cover to be bolted down to basin
- Single door
- 1/4" thick aluminum diamond plate rated at 300 psf
- SS hinges and tamper-proof nuts and bolts
- SS hold open arm
- Padlock staple
- Options available
- Basin I.D.: _____"