

Trusted. Tested. Tough.™

Product information presented here reflects conditions at time of publication. Consult factory regarding discrepancies or inconsistencies.



SECTION: Z3.20.130

ZM1796

1017

Supersedes

0716

MAIL TO: P.O. BOX 16347 • Louisville, KY 40256-0347  
SHIP TO: 3649 Cane Run Road • Louisville, KY 40211-1961  
(502) 778-2731 • 1 (800) 928-PUMP • FAX (502) 774-3624

visit our web site:  
[zoellerengineered.com](http://zoellerengineered.com)



# X6280 - X6290 HAZARDOUS LOCATION SERIES

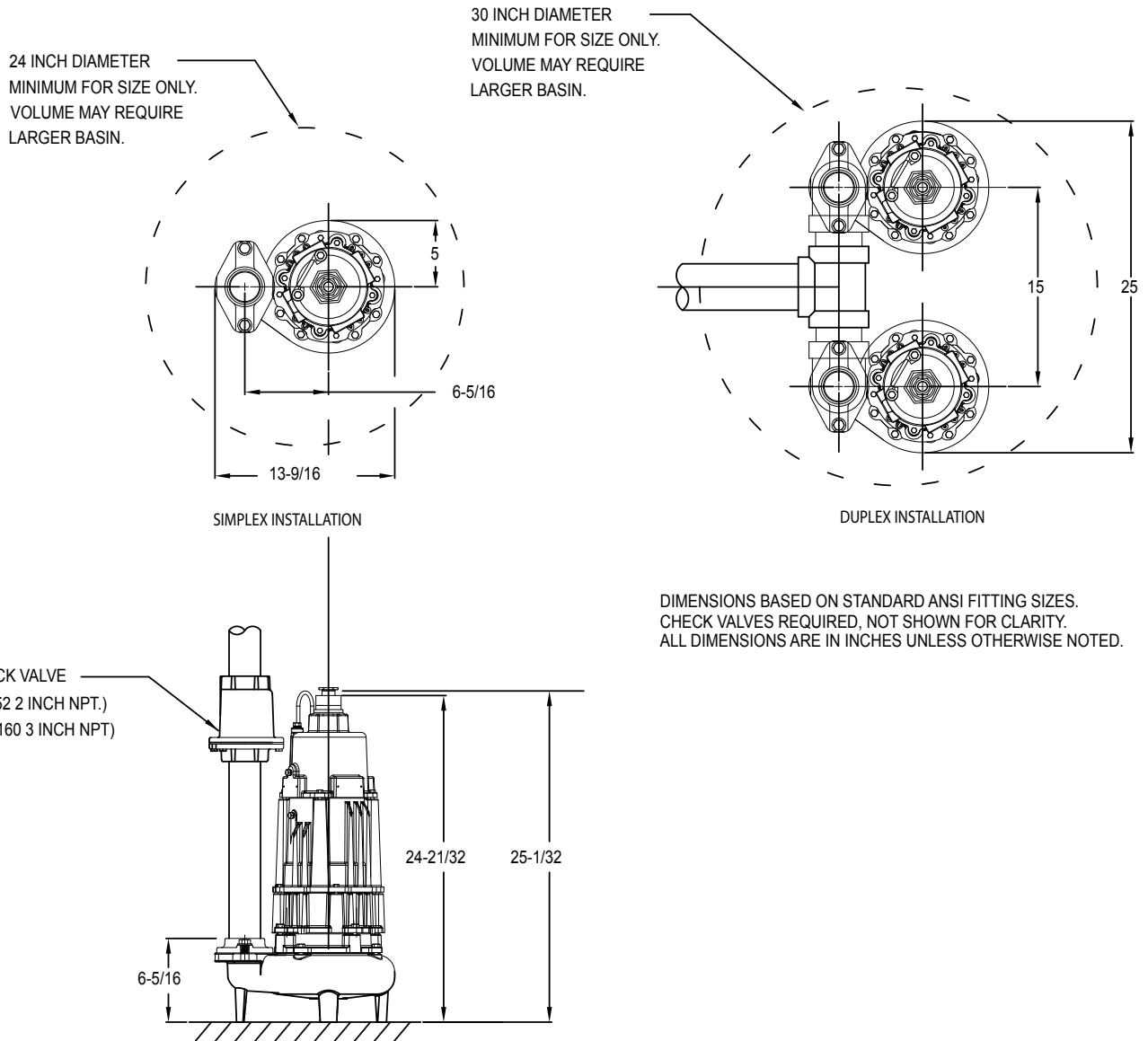
CLASS I, DIVISION 1, GROUP C & D

DIMENSIONAL DATA

2" & 3" NPT Vertical Discharge Units

Commercial Duty Sewage

Floor Mounted



\*All dimensions in inches unless otherwise noted.

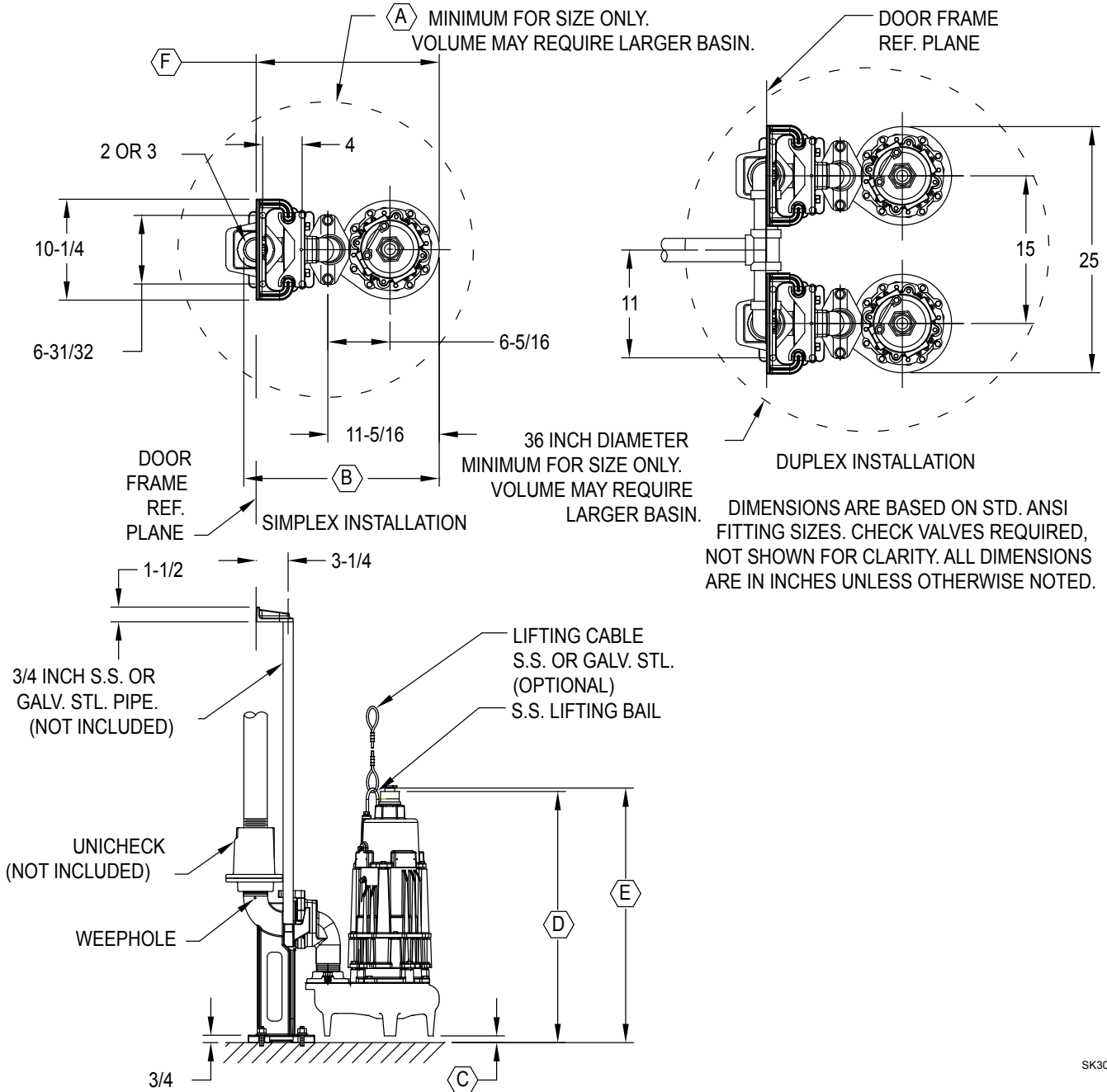
# X6280 - X6290 HAZARDOUS LOCATION SERIES



## CLASS I, DIVISION 1, GROUP C & D DIMENSIONAL DATA 2" & 3" NPT Vertical Discharge Units Commercial Duty Sewage Rail Mounted



| DISCHARGE | A  | B        | C     | D       | E        | F        |
|-----------|----|----------|-------|---------|----------|----------|
| 2 INCH    | 24 | 19-27/32 | 11/16 | 25-1/2  | 25-27/32 | 18-19/32 |
| 3 INCH    | 30 | 21-5/8   | 3-5/8 | 28-7/32 | 28-17/32 | 19-11/16 |



SK3030

\*All dimensions in inches unless otherwise noted.

See Reverse Side for "Floor Mounted"