

Trusted. Tested. Tough.™

Product information presented here reflects conditions at time of publication. Consult factory regarding discrepancies or inconsistencies.



SECTION: Z5.00.153

ZM1860

0812

Supersedes

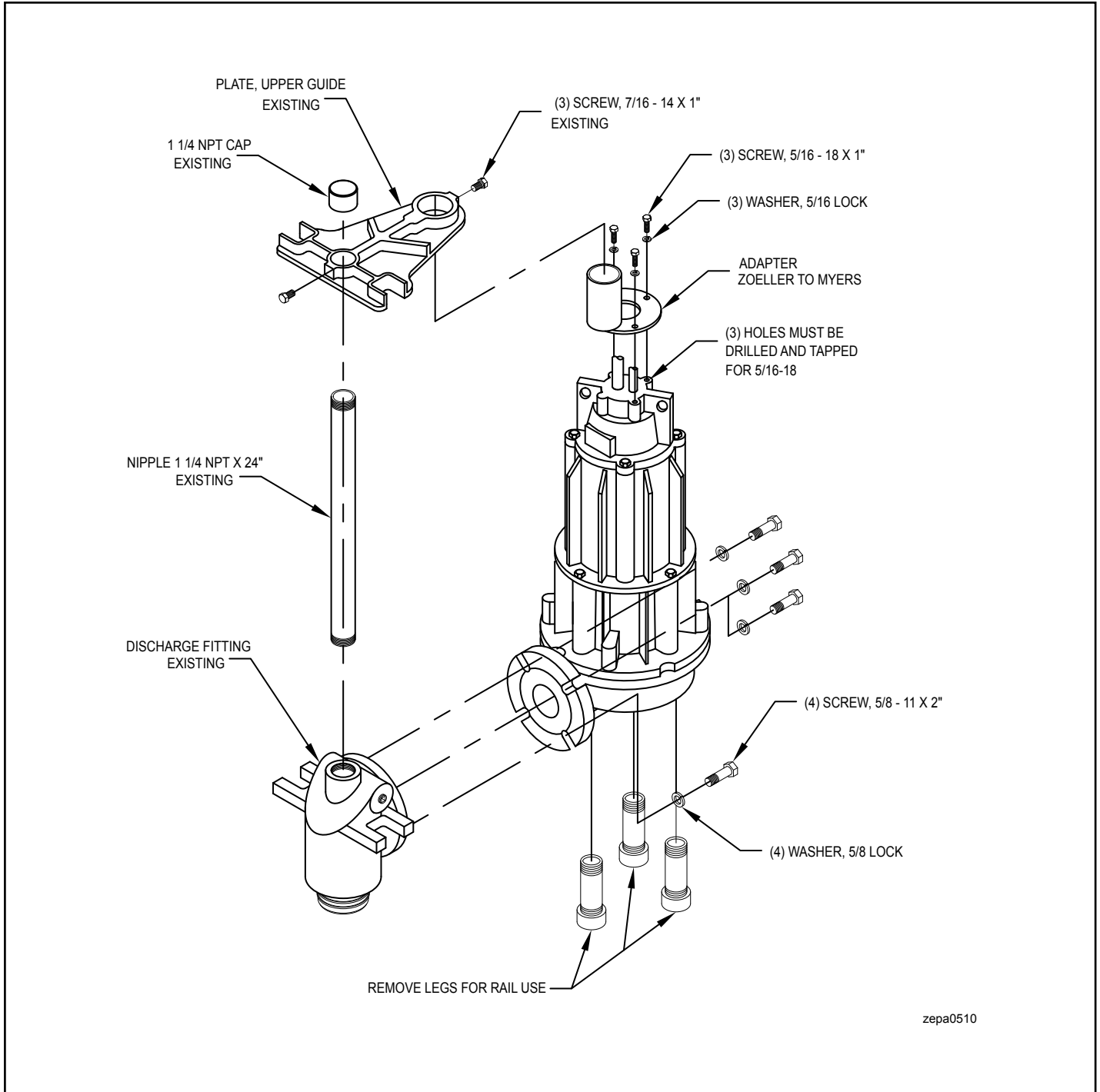
0301

MAIL TO: P.O. BOX 16347 • Louisville, KY 40256-0347
SHIP TO: 3649 Cane Run Road • Louisville, KY 40211-1961
(502) 778-2731 • 1 (800) 928-PUMP • **FAX** (502) 774-3624

Visit our web site:
zoellerengineered.com

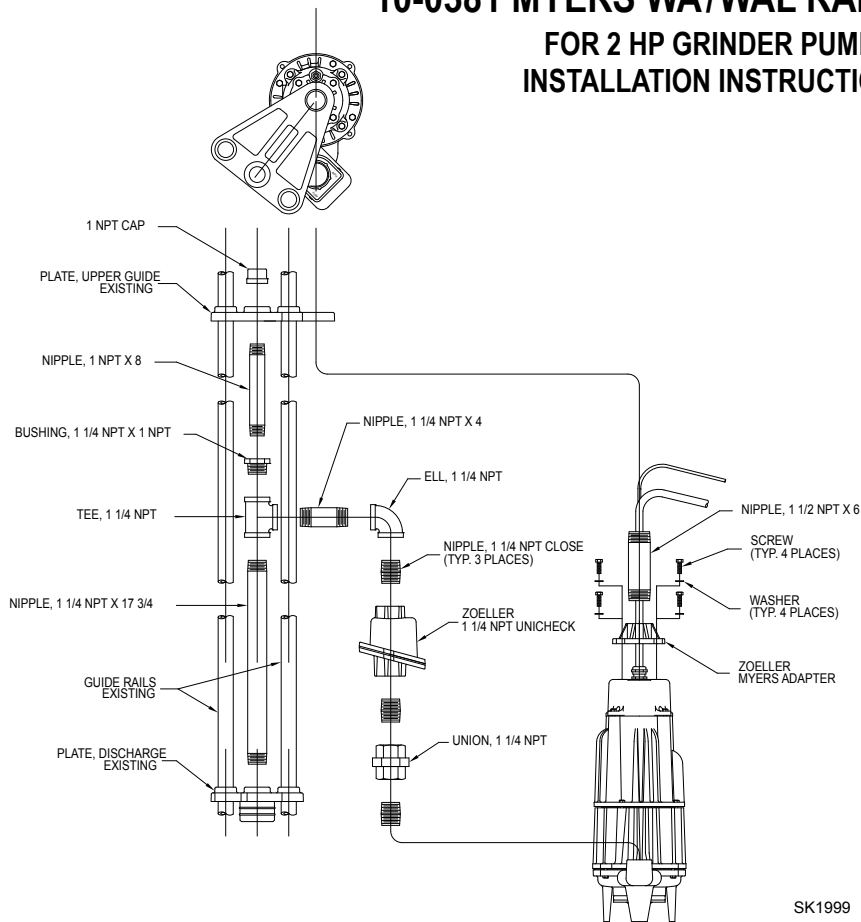


71 SERIES RAIL ADAPTER PART NUMBER 6039-0071 ADAPTER KIT - MYERS 3, 5, 7.5 HP RAIL SYSTEM INSTALLATION INSTRUCTIONS



10-0381 MYERS WA/WAL RAIL ADAPTER

FOR 2 HP GRINDER PUMPS INSTALLATION INSTRUCTIONS



SK1999

For your protection, always shut off the main power breaker and then disconnect the pump. Make sure you are wearing insulated protective sole shoes and not standing in water.

Pump upper guide and discharge plate are Myers castings and must be removed from old pump/piping to be reused.

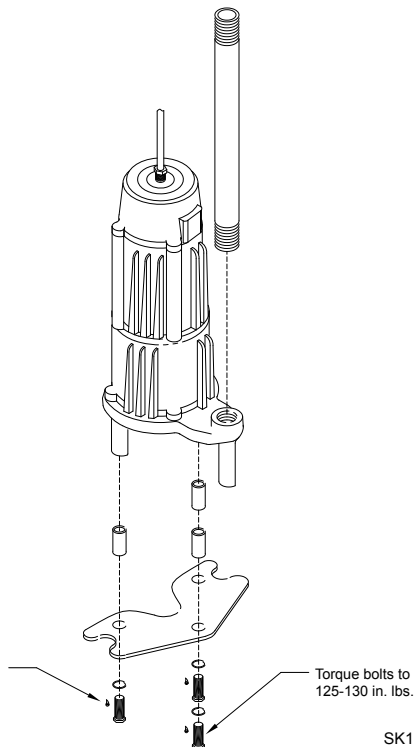
1. Assemble 1½" NPT x 6" nipple to Myers adapter.
2. Pull large power cord through adapter and nipple assembly.
3. Secure assembly to pump using supplied screws and washers.
4. Pull large power cord through upper guide bracket. Attach bracket with a set screw to the 1½" nipple. Bracket may need to be repositioned vertically when piping is completed.
5. Plumb remaining piping using sketch provided as a reference. Be sure to use sealant on all threaded connections.

HYDROMATIC HYDRO RAIL ADAPTER

FOR 2 HP GRINDER PUMPS INSTALLATION INSTRUCTIONS

No extra charge to order pump with special retrofit pump housing.

Apply Loctite Sealant supplied to bolt threads



SK1896